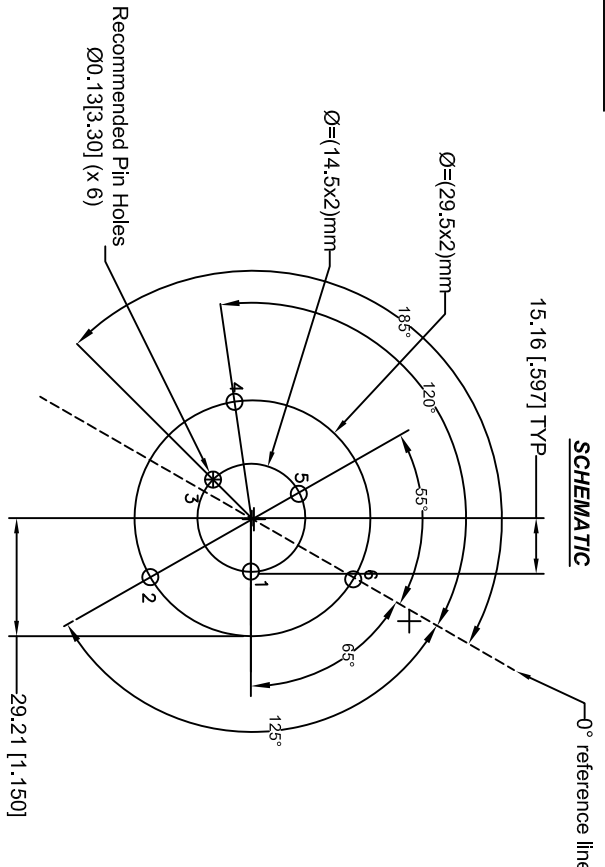
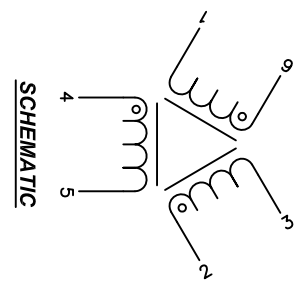
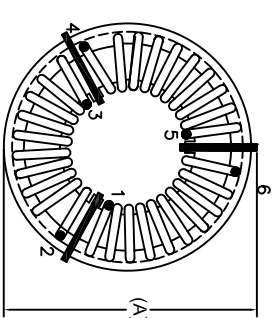
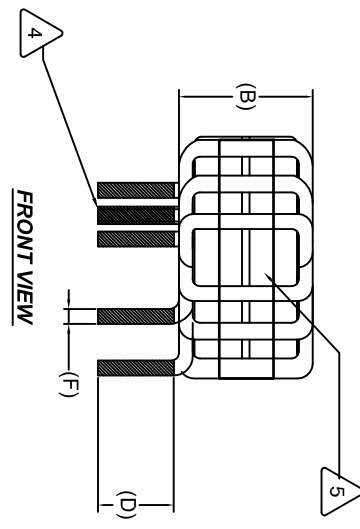


The information contained in this drawing is the sole property of Coil Winding Specialist Inc. (CWSI). Any reproduction in part or whole without written permission of CWSI is prohibited.

DIMENSIONAL TOLERANCE INCHES [MM]				
A(OD) Max	B(HGT) Max	D(LEAD) Min	F (Lead Dia) TYP	
2.60 [66.00]	1.26 [32.00]	1.10 [28.00]	0.11 [2.69]	

REV		ECN	DESCRIPTION	BY	DATE	SIGN & DATE
A			PRODUCTION RELEASE	TN	11/10/17	JL 11/10/17
A			CORRECT SCHEMATIC	TN	11/30/17	JL 11/30/17



8 BUILT TO ROHS COMPLIANCE

5 APPLY LABEL, REVISION AND DATE CODE

4 STRIP AND TIN LEADS (NO INSULATION IS ALLOWED BELOW THE BASE LEVEL)

- WEIGHT = ~198 GRAMS  
 CMC OPERATING TEMP RANGE = -40 °C TO 125°C  
 MAX TEMP RISE = 30 °C  
 INTERWINDING ISOLATION = 2000 VOLTS RMS.  
 DCR ON EACH WINDING = 2.0 mΩ MAX.  
 SRF ~ 4.59 MHZ TYP  
 RATED VOLTAGE ACROSS EACH WINDING= 1000 VAC OR VDC  
 RATED CURRENT ON EACH WINDING = 30 AMPS  
 LEAKAGE INDUCTANCE = 2.56 uH TYP @ 100 KHZ, 0.25 Vrms.  
 INTERWINDING CAPACITANCE = 11.3 pF TYP @ SRF  
 IMPEDANCE = 1.78 kΩ NOM @ SRF  
 L = 300 uH MIN @ 100 KHZ, 0.25 Vrms, 0 ADC
- 3 SPECIFICATIONS AT 25°C:

- 2 WIRE: UL RECOGNIZED 200°C RATED MAGNET WIRE  
 CWS BYTEMARK OR OTHER APPROVED PART  
 CORE: NANOCRYSTALLINE OR AMORPHOUS CORE
- 1 CASE RATING CLASS H (180°C) REQUIRED  
 MATERIAL: UL RECOGNIZED FOR FLAMMABILITY

NOTES: UNLESS OTHERWISE SPECIFIED, READ NOTES FROM BOTTOM TO TOP.  
 CAGE CODE: 5DME2

UNLESS OTHERWISE SPECIFIED		AUTOCAD		X	
DIMENSIONING AND TOLERANCE PER ANSI Y14.5M AND [DIMETERS]		SOLIDWORKS		SIGN	
TOLERANCE INCHES: $\pm .0005$ $\pm .0030$		DRAWN		JL	
TOLERANCE METERS: $\pm .0127$ $\pm .0762$		CHECKED		JLAU	
ANGLE PROJECTION: $\phi$		ENGR.		JLAU	
DO NOT SCALE DRAWING		APPR.		JLAU	
		DATE		11/04/17	
		TITLE		Nanocrystalline Inductor	
		www.coliws.com		Three-Phase Common Mode Choke	
		353 West Grove Ave		Horizontal Mount	
		Orange, California, 92865		SIZE: DIM. NO.	
				B TPW-301M-30A	
				SCALE: N/A	
				SHEET 10F	
				REV A1	